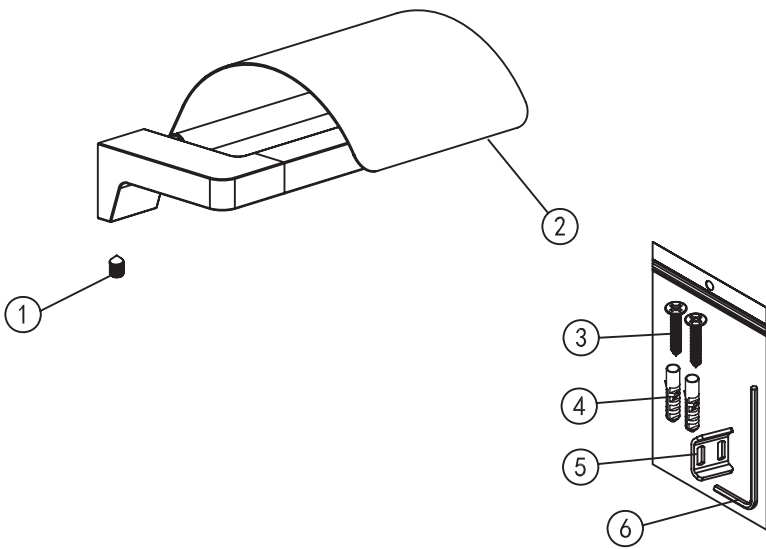


# Mamba

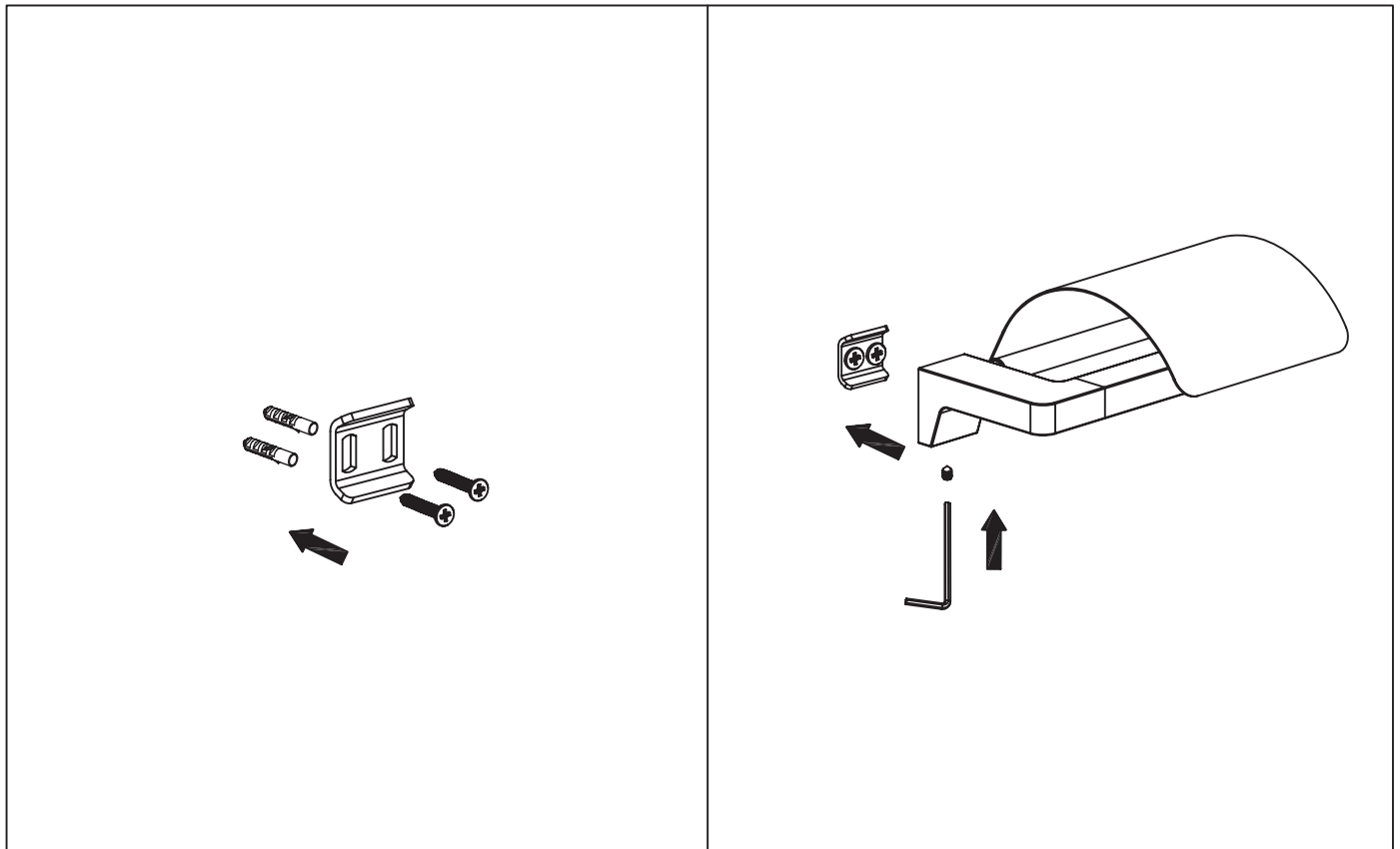
toilet paper holder

Wellis®

WE00114/  
WE00170



Code	The Accessory List	Quantity
1	Screw	1
2	Tissue holder	1
3	Screw	2
4	Plastic insert	2
5	Fixing base	1
6	Screw	1

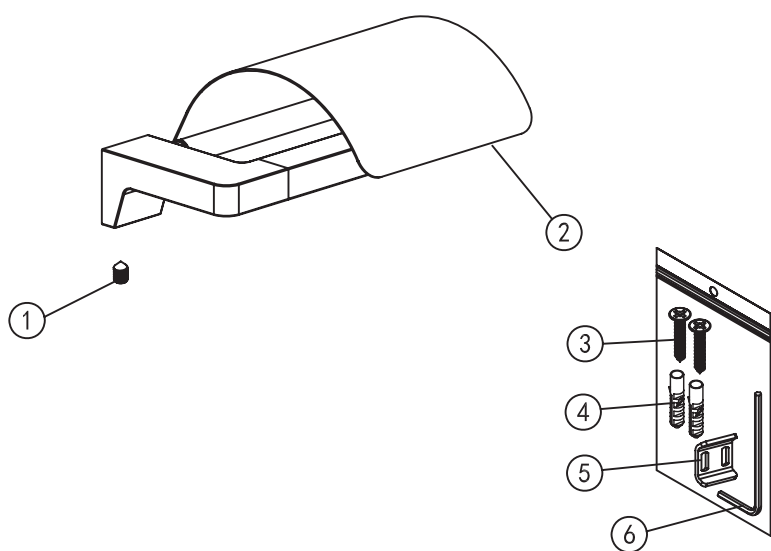


# Mamba

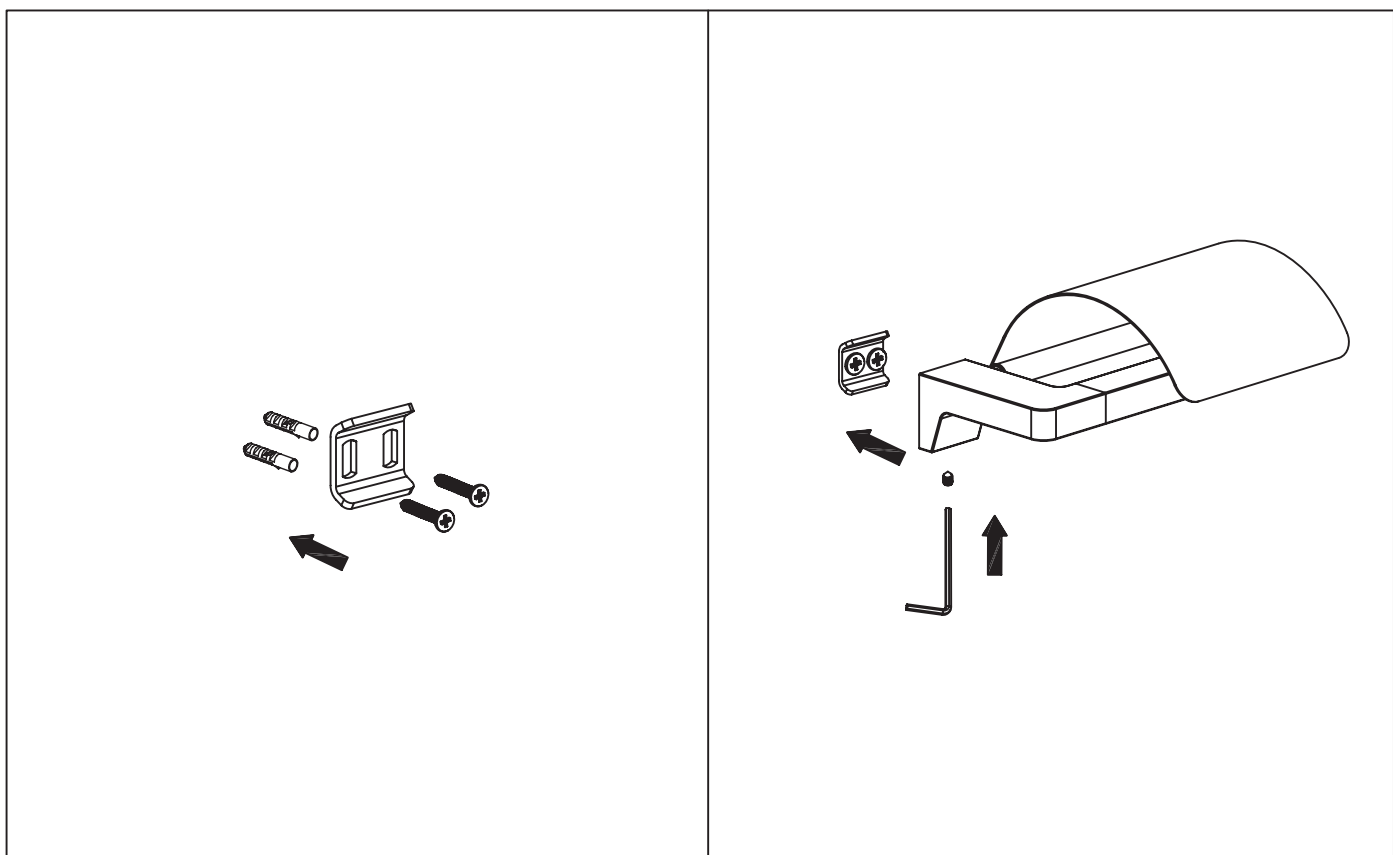
## WC papír tartó

Wellis®

WE00114  
WE00170



Kód	Alkatrészlista	Mennyiség
1	Csavar	1
2	WC papír tartó	1
3	Csavar	2
4	Tipli	2
5	Rögzítő elem	1
6	Imbuszkulcs	1

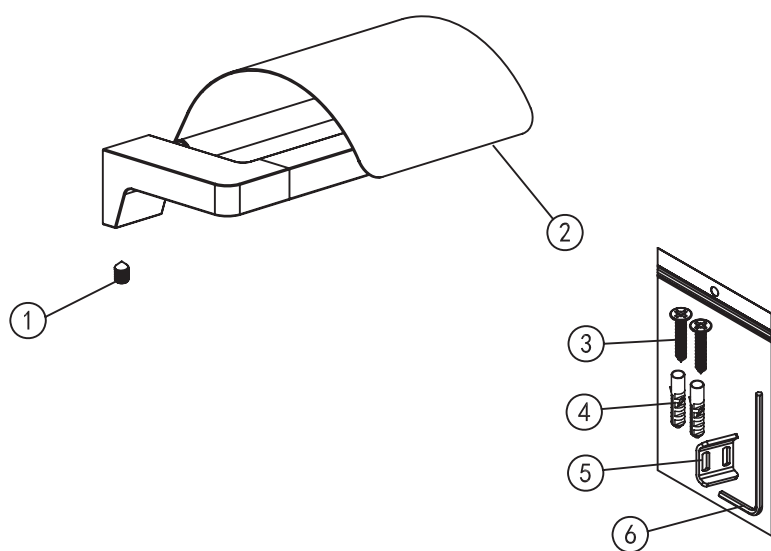


# Mamba

Wellis®

Suport hârtie igienică

WE00114  
WE00170



Cod	Listă de piese	Cantitate
1	Șurub	1
2	Suport hârtie igienică	1
3	Șurub	2
4	Dibluri	2
5	Element de fixare	1
6	Cheie imbus	1

